

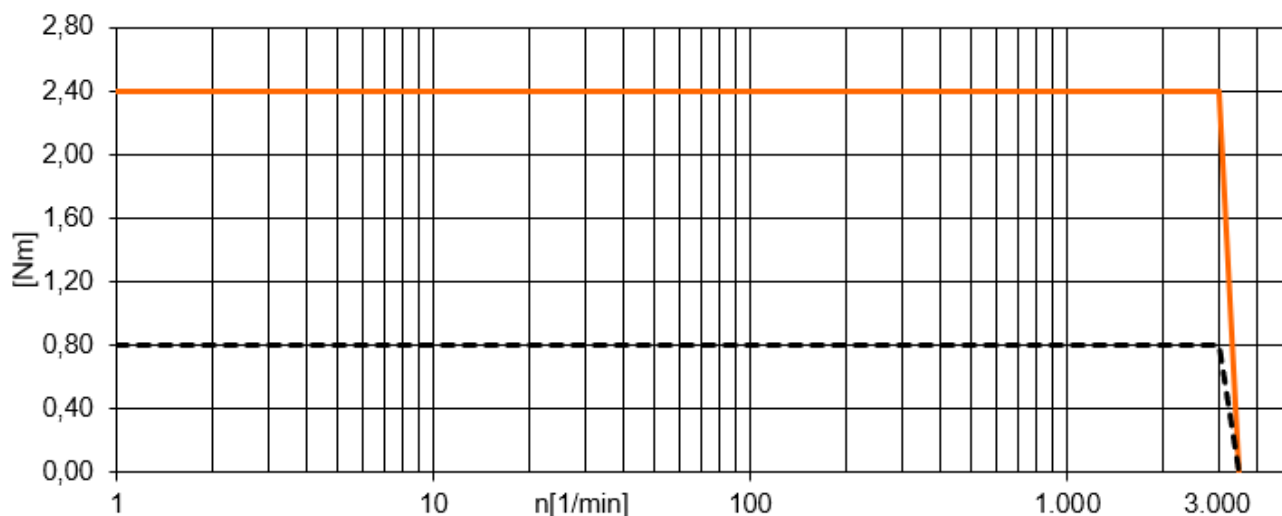
# Technical data sheet EC Motor MOT-EC-60-C-H-A



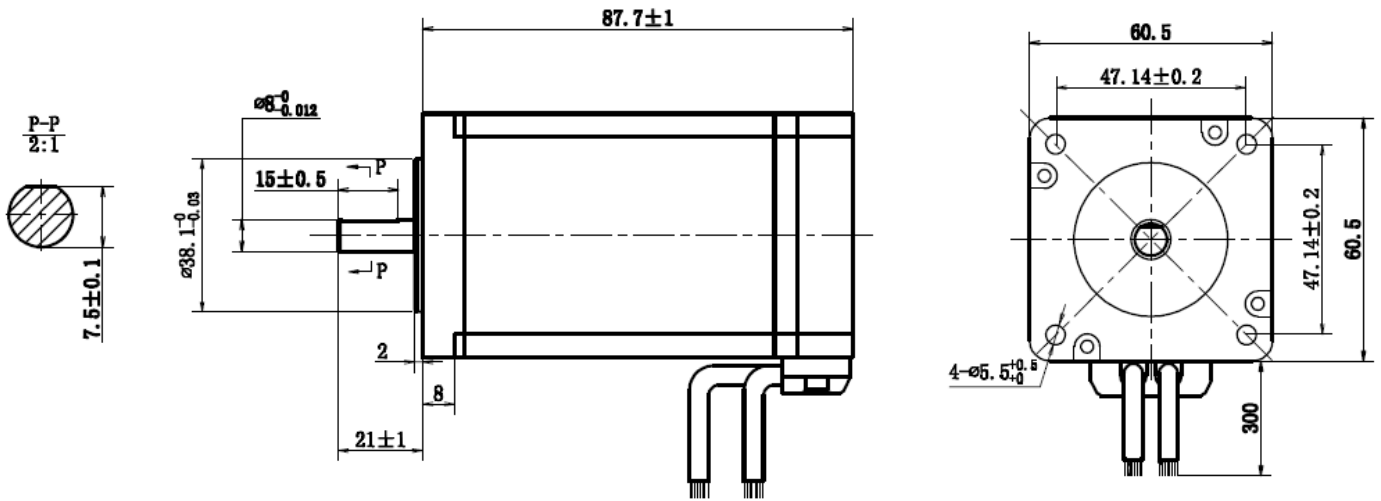
## Technical data

Motor model	MOT-EC-60-C-H-A	
Number of phases	3	
Number of poles	8	
Nominal voltage	48	V DC
Rated speed	3000	RPM
Rated torque	0.8	Nm
Maximum torque	2.4	Nm
Nominal current	7.5	A
Peak current	22.5	A
Nominal power	250	W
Resistance	0.47	$\Omega$
Inductivity	0.65	mH
Torque constant	0.110	Nm/A
Voltage constant	11	V/krpm
Weight	1.35	kg
Rotor inertia	0.95	kg/cm <sup>2</sup>
Ambient temperature	-10 ... +50	$^{\circ}\text{C}$
Max. allowable temperature increase	+80	$^{\circ}\text{C}$
Insulation class	B	class
Air humidity (non-condensing)	85	%
IP rating - motor housing	40	IP
CE conformity	EMV	
Shaft load, axial	20	N
Shaft load, radial (20 mm)	80	N

## Characteristic curve



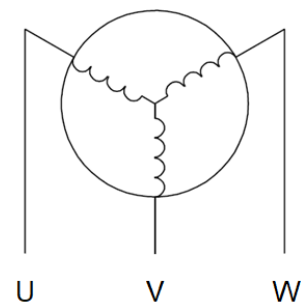
## Dimensions



You can find CAD data at [www.igus.eu\CAD](http://www.igus.eu\CAD)

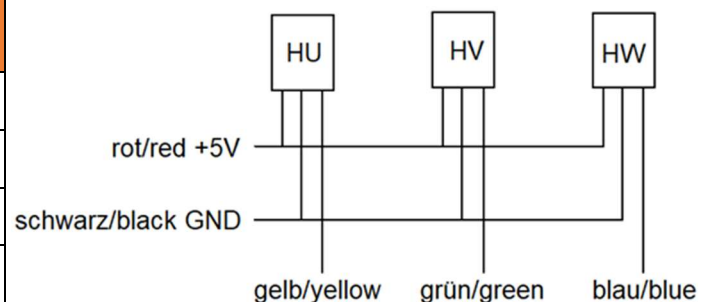
## Connection - Motor

Motor winding	Cable colour	Cross section
U	yellow	0.75 mm <sup>2</sup>
V	green	0.75 mm <sup>2</sup>
W	blue	0.75 mm <sup>2</sup>



## Connection – Hall sensor

Hall connection	Cable colour	Cross section
+5 VDC	red	0.125 mm <sup>2</sup>
GND	black	0.125 mm <sup>2</sup>
HU	yellow	0.125 mm <sup>2</sup>
HV	green	0.125 mm <sup>2</sup>
HW	blue	0.125 mm <sup>2</sup>



## dryve D1 motor control system

- Multifold automation tasks without programming by simple parameterization. No software installation or app needed  
Use by PC, tablet or smart phone
- For single axes, linear, flat and room linear robots and delta robots and rotary drives
- Stepper (ST), DC and EC motors with up to 21A peak currents and 48V
- Inputs/outputs, analogue inputs, CANopen, ModbusTCP for connection to master control systems such as Siemens or Beckhoff



Further information on the control system can be found at:



Motor control  
[www.igus.eu/dryve](http://www.igus.eu/dryve)

## Linear systems with motor



[https://www.igus.eu/info/linear\\_system-product\\_finder](https://www.igus.eu/info/linear_system-product_finder)

## Accessories

Motor flanges



Couplings



Motor connection cables



Limit and reference switches



You can find further accessories at <https://www.igus.eu/info/drylin-e-accessories>