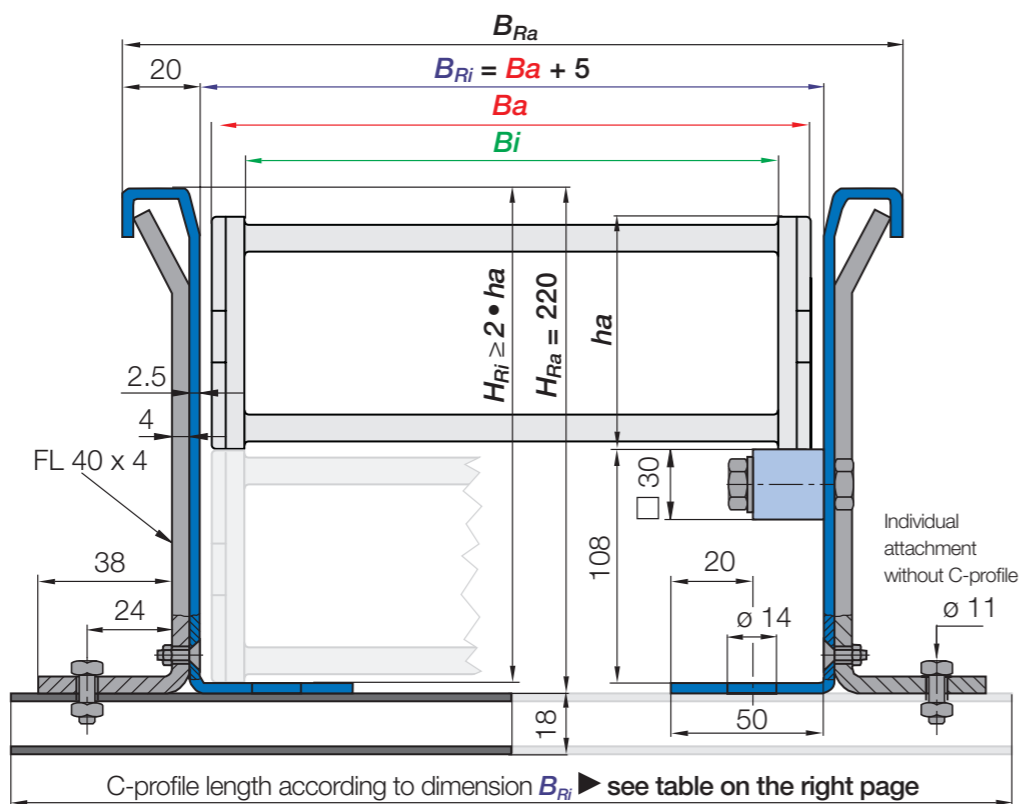


For the following igus® series

- E4.1**
- E4.80
- E4/light**
- 15050/15150/R19850
- 15250/15350
- E6.1**
- E61.80
- E6**
- E6.80

Option: with reinforced mounting angles for extremely demanding heavy-duty applications

Note: The inner width of the guide trough and the C-profile length of the installation set can differ according to the mounting bracket you choose. Please call us.



Steel guide trough | Full set

Trough side parts	Part No.	Weight
Trough side part, without glide bar, 2m section	96.30.E ¹⁾ / E44 ²⁾ / E45 ³⁾	≈ 11.40kg
Trough side part, with glide bar, bolted, 2m section	96.31.E ¹⁾ / E44 ²⁾ / E45 ³⁾	≈ 13.60kg
Installation sets	Part No.	Weight
1 installation set without C-profile	96.50	≈ 0.72kg
1 installation set with C-profile (C-profile length according to dimension B_{Ri})	96.50.XXX*	upon request

*Please add the C-profile length **XXX** as shown on the tables on the right page. Example: 96.50.375

Steel guide trough | Components as individual parts

Individual parts, trough	Part No.	Weight
1 trough side part, individual, 2m section	96.11.E ¹⁾ / E44 ²⁾ / E45 ³⁾	≈ 11.40kg
1 glide bar, plastic, individual, 2m section	93.01	≈ 1.68kg
1 glide bar, individual, 2m section + 11 screw sets	93.20	≈ 2.22kg
1 package with 11 screw sets (for glide bar, 2m section)	93.21	≈ 0.54kg
Individual parts, installation set	Part No.	Weight
1 clamping bracket, individual	96.51	≈ 0.31kg
1 countersunk-head screw, individual	92.53 / M6 x 14	
1 hexagon nut, individual	92.54 / M6	
1 hexagon-head screw, individual	92.55 / M10 x 16	
1 glide nut, individual	92.56 / M10	
1 C-profile, individual (C-profile length according to dimension B_{Ri})	92.52.XXX*.E ¹⁾	≈ 0.90kg/m
Additional option for simple fixing of the e-chain® without drilling	Part No.	Weight
1 set fixed end module (more information ► Page 1240)	96.80.01	≈ 22.80kg

*Please add the C-profile length **XXX** as shown on the tables on the right page. Example: 92.52.375.E

1) Trough side parts + C-profile - also available in 304 stainless steel, material 1.4301 (AISI 304). Please add index **E** to the Part No.

2) Trough side parts - also available in 316 stainless steel, material 1.4404 (AISI 316L). Please add index **E44** to the Part No.

3) Trough side parts - also available in 316 stainless steel, material 1.4571 (AISI 316Ti). Please add index **E45** to the Part No.

E4.80			15050/15150/R19850			15250/15350			E61.62			E6.62		
Width index	B_{Ri} [mm]	Part No. Installation set	Width index	B_{Ri} [mm]	Part No. Installation set	Width index	B_{Ri} [mm]	Part No. Installation set	Width index	B_{Ri} [mm]	Part No. Installation set	Width index	B_{Ri} [mm]	Part No. Installation set
.05	105	96.50.225	.05	85	upon request	.05	85	upon request	.05	99	96.50.n.m	.05	105	96.50.225
.06	120	96.50.250	.06	100	upon request	.06	103	96.50.225	.06	114	96.50.225	.06	120	96.50.250
.07	130	96.50.250	.07	110	96.50.225	.07	110	96.50.225	.07	124	96.50.250	.07	130	96.50.250
.10	155	96.50.275	.10	135	96.50.250	.087	122	96.50.250	.10	149	96.50.275	.10	155	96.50.275
.11	168	96.50.300	.11	148	96.50.275	.09	132	96.50.250	.11	161	96.50.275	.11	167	96.50.300
.12	180	96.50.300	.12	160	96.50.275	.10	135	96.50.250	.12	174	96.50.300	.12	180	96.50.300
.13	193	96.50.325	.13	173	96.50.300	.11	143	96.50.275	.13	186	96.50.300	.13	192	96.50.325
.15	205	96.50.325	.15	185	96.50.300	.112	148	96.50.275	.15	199	96.50.325	.15	205	96.50.325
.16	218	96.50.350	.16	198	96.50.325	.12	160	96.50.275	.16	211	96.50.325	.16	217	96.50.350
.17	230	96.50.350	.17	210	96.50.325	.137	172	96.50.300	.17	224	96.50.350	.17	230	96.50.350
.18	243	96.50.375	.18	223	96.50.350	.15	185	96.50.300	.18	236	96.50.350	.18	242	96.50.375
.20	255	96.50.375	.20	235	96.50.350	.162	198	96.50.325	.20	249	96.50.375	.20	255	96.50.375
.21	268	96.50.400	.21	248	96.50.375	.17	203	96.50.325	.21	261	96.50.375	.21	267	96.50.400
.22	280	96.50.400	.22	260	96.50.375	.18	210	96.50.325	.22	274	96.50.400	.22	280	96.50.400
.23	293	96.50.425	.23	273	96.50.400	.187	223	96.50.350	.23	286	96.50.400	.23	292	96.50.425
.25	305	96.50.425	.25	285	96.50.400	.20	235	96.50.350	.25	299	96.50.425	.25	305	96.50.425
.26	318	96.50.450	.26	298	96.50.425	.212	248	96.50.375	.26	311	96.50.425	.26	317	96.50.450
.27	330	96.50.450	.27	310	96.50.425	.23	260	96.50.375	.27	324	96.50.450	.27	330	96.50.450
.28	343	96.50.475	.28	323	96.50.450	.237	273	96.50.400	.28	336	96.50.450	.28	342	96.50.475
.30	355	96.50.475	.30	335	96.50.450	.25	285	96.50.400	.30	349	96.50.475	.30	355	96.50.475
.31	368	96.50.500	.31	348	96.50.475	.262	298	96.50.425	.31	361	96.50.475	.31	367	96.50.500
.32	380	96.50.500	.32	360	96.50.475	.28	310	96.50.425	.32	374	96.50.500	.32	380	96.50.500
.33	393	96.50.525	.33	373	96.50.500	.29	323	96.50.450	.33	386	96.50.500	.33	392	96.50.525
.35	405	96.50.525	.35	385	96.50.500	.30	335	96.50.450	.35	399	96.50.525	.35	405	96.50.525
.36	418	96.50.550	.36	398	96.50.525	.312	348	96.50.475	.36	411	96.50.525	.36	417	96.50.550
.37	430	96.50.550	.37	410	96.50.525	.325	360	96.50.475	.37	424	96.50.550	.37	430	96.50.550
.38	443	96.50.575	.38	423	96.50.550	.337	373	96.50.500	.38	436	96.50.550	.38	442	96.50.575
.40	455	96.50.575	.40	435	96.50.550	.350	385	96.50.500	.40	449	96.50.575	.40	455	96.50.575
.41	468	96.50.600	.41	448	96.50.575	.362	398	96.50.525	.41	461	96.50.575	.41	470	96.50.600
.42	480	96.50.600	.42	460	96.50.575	.375	410	96.50.525	.42	474	96.50.600	.42	480	96.50.600
.43	493	96.50.625	.43	473	96.50.600	.387	423	96.50.550	.43	486	96.50.600	.43	492	96.50.625
.45	505	96.50.625	.45	485	96.50.600	.400	435	96.50.550	.45	499	96.50.625	.45	505	96.50.625
.46	518	96.50.650	.46	498	96.50.625				.46	511	96.50.625	.46	517	96.50.650
.47	530	96.50.650	.47	510	96.50.625				.47	524	96.50.650	.47	530	96.50.650
.48	543	96.50.675	.48	523	96.50.650				.48	536	96.50.650	.48	542	96.50.675
.50	555	96.50.675	.50	535	96.50.650				.50	549	96.50.675	.50	555	96.50.675
.51	568	96.50.700	.51	548	96.50.675				.51	561	96.50.675	.51	567	96.50.700
.52	580	96.50.700	.52	560	96.50.675				.52	574	96.50.700	.52	580	96.50.700
.53	593	96.50.725	.53	573	96.50.700				.53	586	96.50.700	.53	592	96.50.725
.55	605	96.50.725	.55	585	96.50.700				.55	599	96.50.725	.55	605	96.50.725
.60	655	96.50.775	.60	635	96.50.750				.60	649	96.50.775	.60	655	96.50.775



igus® E4 rol e-chain® and steel guide trough